

IMP Armature d.o.o.

Ljubljanska cesta 43
1295 Ivančna Gorica
Slovenija

T: +386 (0)1 7887 300

F: +386 (0)1 7887 328

E: info@imp-ta.si

www.imp-ta.si

Versions

- Standard version as described
- With lifting device
- DN 350 up to DN 500 with bypass

Corrosion protection

- Inside and outside Epoxy coating min. 250 µm
- Acc. to GtSK ,DIN30677-2 and 14901

Corrosion protection – reinforced & heavy duty version

- Inside and outside Epoxy coating min. 300 µm
- Acc. to GtSK ,DIN30677-2 and 14901

Tests and approvals

- Final inspection test acc. to EN 12266
- EPDM rubber approved acc. to KTW, W270, WRAS
- Epoxy coating approved acc. to KTW, WRAS, W270

Fields of application

Application 01 - potable water - Art. 435

- Body: Ductile cast iron GJS-400-15 (GGG-40)
- Bonnet: Ductile cast iron GJS-400-15 (GGG-40)
- Disc: Ductile cast iron GJS-400-15 (GGG-40) all around EPDM vulcanized
- Shaft: AISI 304
- Bonnet bolts: Stainless steel A2 EN ISO 3506
- Plug screw(DN40-300): Stainless steel A2
Bypass (DN350-500): Brass CW614N

NORVA SWING CHECK VALVE

Art. 435/436

DN 40 – DN 500

PN 10/16

DUCTILE IRON



Product characteristics and benefits

- Swing check valve for complete and quick closing of the return flow
- Manufactured and tested acc. to EN 1074-3 and resilient seated acc. to EN 12334
- Proven construction
- Double lifetime due to turnable disc – for dim. up to DN 300
- DN 350 - 500 with relief valve (bypass)
- Quick and easy disassembly of cover and disk
- Low pressure loss
- Face-to-face length acc. to EN 558-1 basic series 48
- Flange ends acc. to EN 1092-2 PN 10/16

Application 02 - waste water - Art. 435

- Body: Ductile cast iron GJS-400-15 (GGG-40)
- Bonnet: Ductile cast iron GJS-400-15 (GGG-40)
- Disc: Ductile cast iron GJS-400-15 (GGG-40) all around NBR vulcanized
- Shaft: AISI 304
- Bonnet bolts: Stainless steel A2 EN ISO 3506
- Plug screw(DN40-300): Stainless steel A2
Bypass (DN350-500): Brass CW614N

Application 03 - waste water reinforced corrosion - Art. 435

- Body: Ductile cast iron GJS-400-15 (GGG-40)
- Bonnet: Ductile cast iron GJS-400-15 (GGG-40)
- Disc: Ductile cast iron GJS-400-15 (GGG-40) all around NBR vulcanized
- Shaft: AISI 304
- Bonnet bolts: Stainless steel A2 EN ISO 3506
- Plug screw(DN40-300): Stainless steel A4
Bypass (DN350-500): Bronze

Application 04 - sprinkler system - Art. 436

- Body: Ductile cast iron GJS-400-15 (GGG-40)
- Body seat: Brass CW 614 N
- Bonnet: Ductile cast iron GJS-400-15 (GGG-40)
- Disc: Ductile cast iron GJS-400-15 (GGG-40) all around EPDM vulcanized
- Shaft: AISI 304
- Bonnet bolts: Stainless steel A2 EN ISO 3506
- Plug screw(DN40-300): Stainless steel A2
Bypass (DN350-500): Brass CW614N

Application 05 - heavy duty, saltwater - Art. 436

- Body: Ductile cast iron GJS-400-15 (GGG-40)
- Body seat: Bronze
- Bonnet: Ductile cast iron GJS-400-15 (GGG-40)
- Disc: Ductile cast iron GJS-400-15 (GGG-40) all around EPDM vulcanized
- Shaft: AISI 316
- Bonnet bolts: Stainless steel A2 EN ISO 3506
- Plug screw(DN40-300): Stainless steel A4
Bypass (DN350-500): Bronze



Order code

NORVA Art. , DN , PN , Application

435
436

Nominal size
DN 50 - DN 500

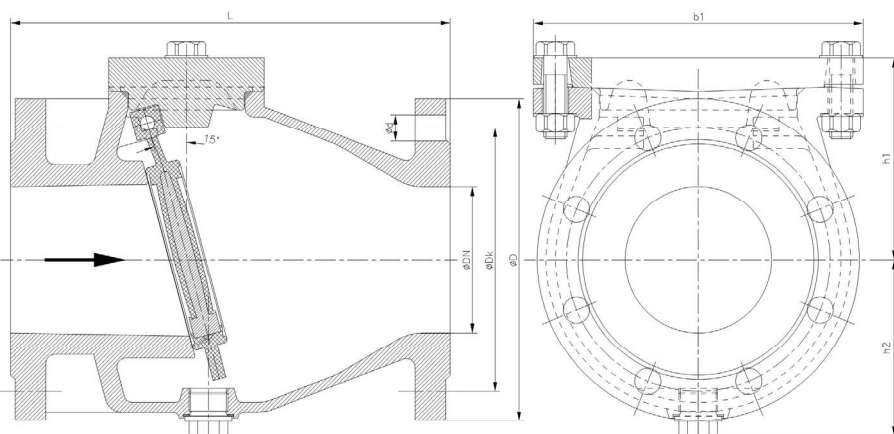
Pressure rating
10
16

Potable water **01**
Waste water **02**
Waste water reinforced corrosion **03**
Sprinkler system **04**
Heavy duty, saltwater **05**

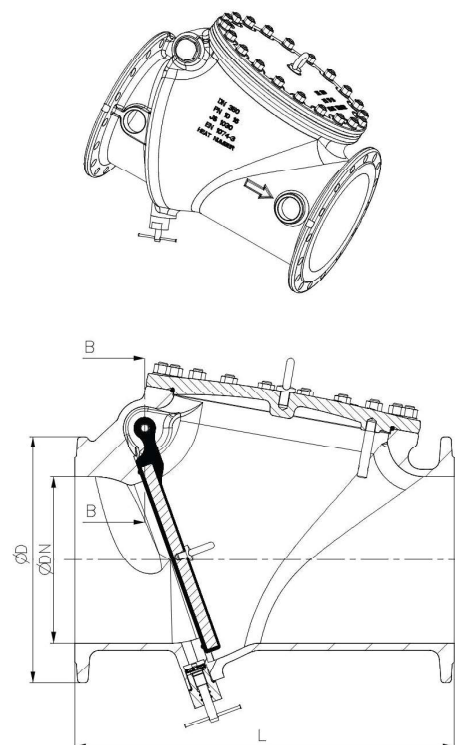
Sample: Art. 435, 80, 16, 01

Technical drawing

DN 40 – DN 300



DN 350 – DN 500



DN	40	50	65	80	100	125	150	200	250	300	350	400	500
D	150	165	185	200	220	250	285	340	405	455	520	580	715
L – Series 48 [mm]	180	200	240	260	300	350	400	500	600	700	800	900	1100
b [mm]	19	19	19	19	19	19	19	20	22	24.5	26.5	28	31
b1 [mm]	164	164	186	200	225	304	340	400	464	504	585	660	770
d PN10/PN16	19	19	19	19	19	19	23	23	23/28	23/28	23/28	28/31	28/34
h1 [mm]	100	100	111	125	140	175	195	251	290	312	427	461	530
h2	90	90	98	105	125	157	155	205	230	255	344	372	424
Dk PN10 [mm]	110	125	145	160	180	210	240	295	350	400	460	515	620
Dk PN16 [mm]	110	125	145	160	180	210	240	295	355	410	470	525	650
n - No. of bolts PN10 / PN16	4	4	4	8	8	8	8	8/12	12	12	16	16	20
Weight approx. [kg]	10.1	12	16	20	28.5	48	64	116	162	222	300	425	618

Max operating conditions

DN	PN	Max operating pressure [bar]	Max operating temperature for neutral liquids [°C]
40-500	10/16	10/16	60

Pressure test acc. to EN 12266

Test pressure shell [bar]	Test pressure seat [bar]
<ul style="list-style-type: none"> with air up to DN 200 - Rate A with water DN 250 – DN 500 – Rate A 	<ul style="list-style-type: none"> with air up to DN 200 - Rate A with water DN 250 – DN 500 – Rate A
24	17,6