

IMP Armature d.o.o.

Ljubljanska cesta 43
1295 Ivančna Gorica
Slovenija

T: +386 (0)1 7887 300

F: +386 (0)1 7887 328

E: info@imp-ta.si

www.imp-ta.si

TELESCOPIC EXTENSION SPINDLE FOR GATE VALVE Art. 735-740 Art. 730

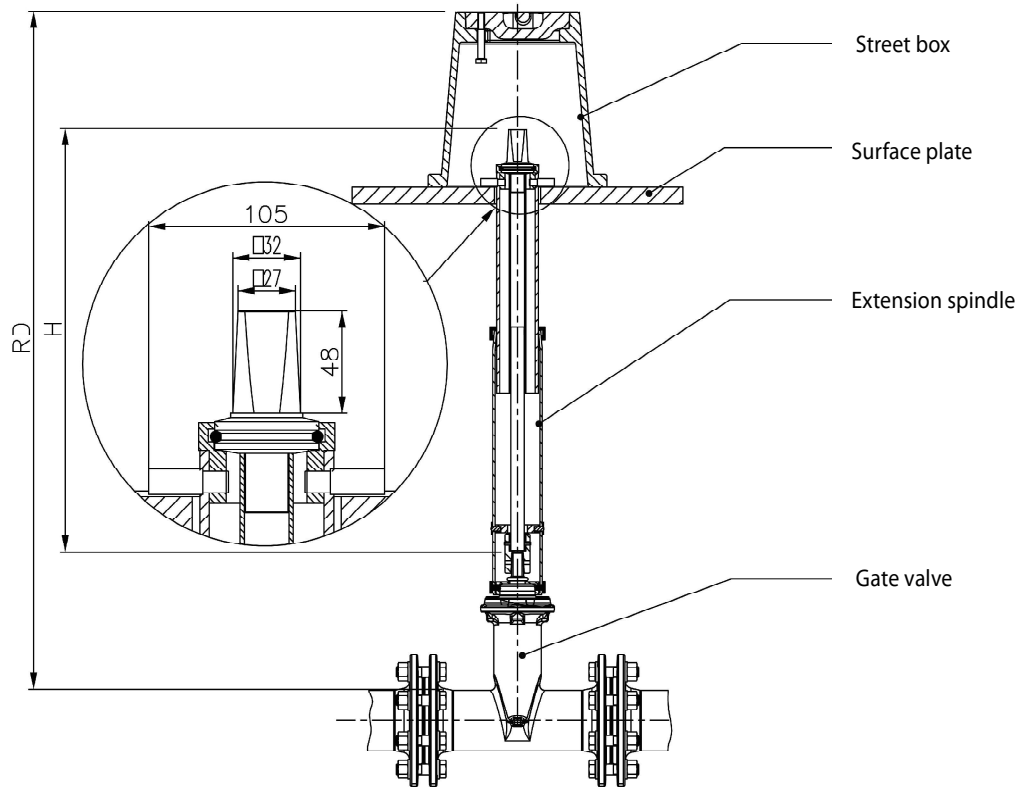
DN 50 – DN 600



Products characteristics and benefits

- Strong construction ensure long service life
- Outside PE pipe provide a strong protection against mechanical impacts
- Bottom cover protects valve spindle from sand and dirt
- Extension spindles are available in 4 diferent lenghts
- Other lenghts are available on request
- DN 50 -200 with threaded connection onto the gate valve

Technical drawing



IMP Art. code	DN (mm)	H (mm)	Rd (mm)	Weight (kg)
22173	50	390 - 560	595 - 765	3,2
22174	50	495 - 780	700 - 1100	3,6
22175	50	755 - 1300	1000 - 1600	5,4
22176	50	1220 - 2090	1450 - 2400	8,0
22177	65 - 80	390 - 560	645 - 815	3,2
22178	65 - 80	495 - 780	750 - 1100	3,6
22179	65 - 80	755 - 1300	1000 - 1600	5,4
22180	65 - 80	1220 - 2090	1500 - 2400	8,0
22181	100 - 150	390 - 560	745 - 915	3,2
22182	100 - 150	495 - 780	850 - 1150	3,6
22183	100 - 150	755 - 1300	1100 - 1650	5,4
22184	100 - 150	1220 - 2090	1550 - 2450	8,0
22185	200	390 - 560	795 - 965	3,2
22186	200	495 - 780	900 - 1250	3,6
22187	200	755 - 1300	1150 - 1750	5,4
22188	200	1220 - 2090	1650 - 2550	8,0
21906	250 - 300	390 - 560	945 - 1115	4,3
18386	250 - 300	495 - 780	1050 - 1350	4,8
18384	250 - 300	755 - 1300	1300 - 1850	7,0
18889	250 - 300	1220 - 2090	1800 - 2650	10,8
21073	350 - 600	495 - 780	1300 - 1550	5,3
18627	350 - 600	755 - 1300	1550 - 2060	7,5
21074	350 - 600	1220 - 2090	2000 - 2860	11,3