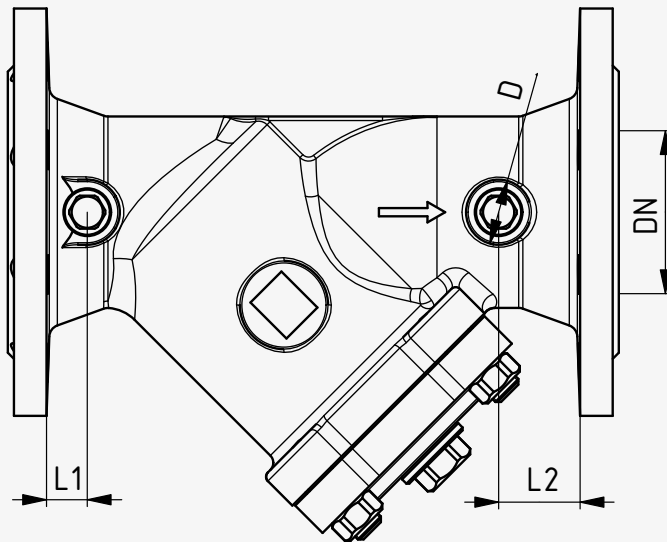


STRAINER

**MANOMETER
CONNECTION**
(for Art. 020)



TECHNICAL DRAWING



DATA

DN	15-40	50-250
L1 [mm]	15	20
L2 [mm]	20	40
D [mm]	24	32
Plug	1/4"	1/2"