

DIAPHRAGM NON-RETURN VALVE

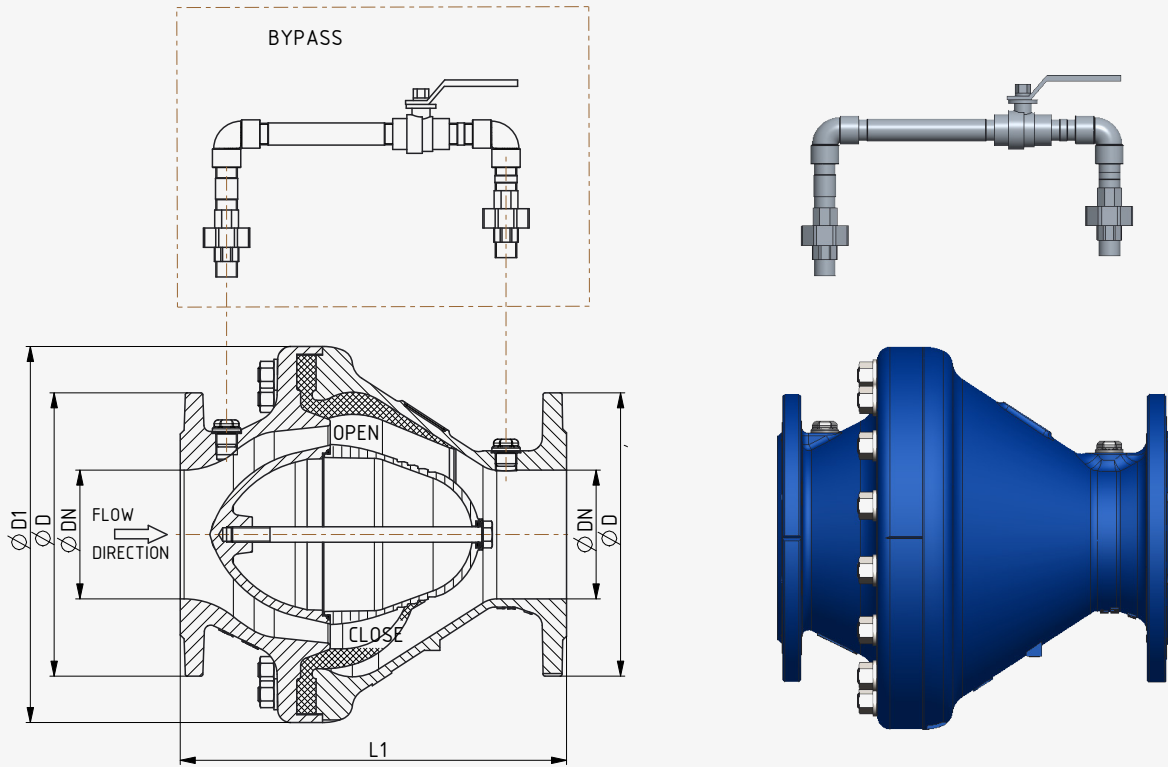
CHARACTERISTICS

— Pressure relief

BYPASS 3/8"
(for Art. 442 MEVA)



TECHNICAL DRAWINGS



MATERIALS

Pipe 1/2"	W. No. 1.4404
Gaskets	EPDM
Ball valve	W. No. 1.4401
Screw material	W. No. 1.4301