

*Usmerjamo tokove*

*We control the stream*

*Wir lenken die Ströme*

## UFHGOST

Underground fire hydrant

Type 2009 GOST

DN 100 PN 16



### Product characteristics and benefits

- Fire hydrant in accordance with GOST R 53961-2010, EN 1074-6 EN 14339 and Construction Products Regulation (CPR) 305/2011/EU
- With flange end acc. to EN 1092 - 2
- Simple construction and low weight
- Low operating torque
- Simple maintenance and handling

### Materials

- Valve: Ductile cast iron EN-JS 1030 (GGG-40)
- Outlet: Gunmetal – brass CW 614 N acc. to with GOST 7499-71
- Piston: Ductile cast iron EN-JS 1030 (GGG-40) all around EPDM vulcanized
- Seat: Stainless steel 1.4059
- Bonnet bolts: Stainless steel A2 EN ISO 3506
- Spindle: Stainless steel 1.4028
- Spindle nut: Bronze LG2
- Body pipe: Stainless steel 1.4301 / Reinforced version: SS 1.4401 (AISI 316)

### Corrosion protection

- Inside and outside Epoxy coating min. 250 µm
- According to GSK quality specifications

### Tests and approvals

- Testing and registration by ZAG guarantees superior product quality and external monitoring which also takes hygienic aspects into consideration
- Type test acc. to GOST R 53961-2010
- Final inspection test acc. to EN 12266
- EPDM rubber acc. to EN 681-1 and approved acc. to KTW, W270, WRAS
- Epoxy coating approved acc. to KTW, W270, WRAS



# UFHGOST

Underground fire hydrant

Type 2009 GOST

DN 100 PN 16

**Order code**

**UFHGOST** DN100 FLANGE

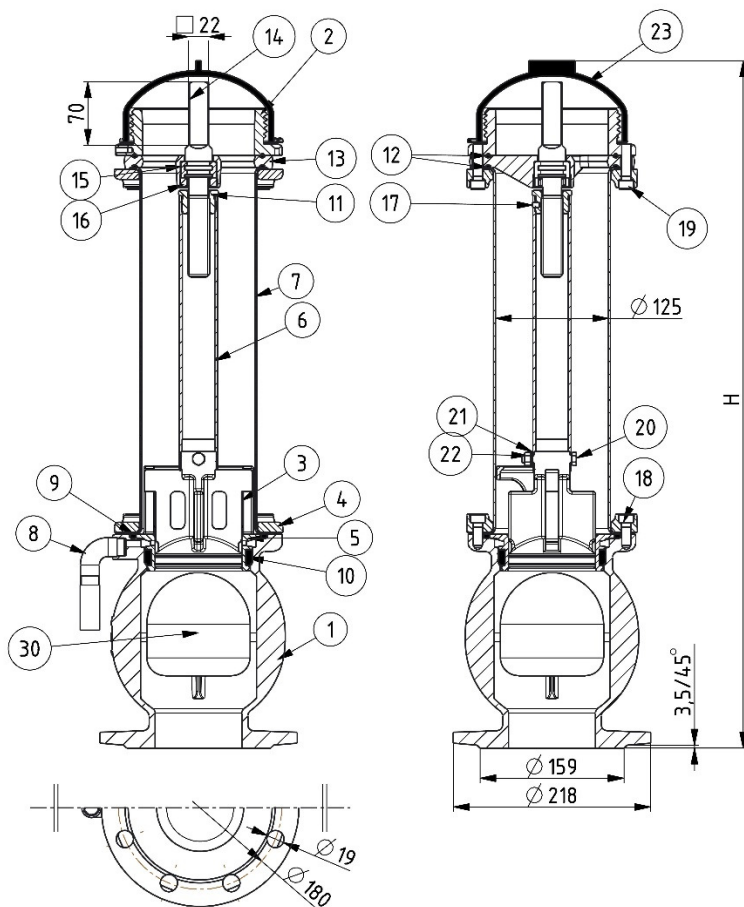
**DN 100, PN 16, H** Height

--	--	--	--

Sample: Underground fire hydrant DN 100 PN 16, height 1000

**UFHGOST** DN100 FLANGE **DN 100, PN 16, H 1000**

**Technical drawing**



Item	Name	Material
1	Valve	Ductile iron JS 1030
2	Outlet	Brass CW 614 N
3	Piston	Ductile iron JS 1030 fully encapsulated EPDM
4	Flange	Ductile iron JS 1030
5	Sealing ring	Stainless steel 1.4059
6	Inner pipe	Stainless steel 1.4301
7	Body pipe	Stainless steel 1.4301 / 1.4408 (reinforced version)
8	Fitting	Stainless steel 1.4401
9	Pipe gasket	EPDM
10	Gasket	EPDM
11	Spindle nut	Bronze LG2
12	O ring	EPDM
13	Spindle star	Ductile iron JS 1030
14	Spindle	Stainless steel 1.4028
15	Limiter	CW 614 N
16	Brass nut	CW 614 N
17	Pin	Stainless steel A2
18	Screw	Stainless steel A2
19	Screw	Stainless steel A2
20	Screw	Stainless steel A2
21	Nut	Stainless steel A2
22	Washer	Stainless steel A2
23	Cap	EPDM
*30	Sealing ball (on request)	EPDM / Stainless steel 1.4301

\* - Double sealing

Depth [m]	H [mm]	Weight [Kg]
0.75	500	26.0
1.00	750	28.5
1.25	1000	31.0
1.50	1250	33.5
1.75	1500	36.0
2.00	1750	38.5
2.25	2000	41.0
2.50	2250	46.0
2.75	2500	50.5
3.00	2750	53.0
3.25	3000	56.0
3.50	3250	60.5
3.75	3500	61.0

**Field of application**

DN	PN	Maximum operating pressure [bar]	Maximum operating temperature for neutral liquids [°C]
100	16	16	60

**Pressure test acc. to EN 12266**

Test pressure shell with air - Rate A [bar]	Test pressure seat with air - Rate A [bar]
25	17,6