

Usmerjamo tokove

We control the stream

Wir lenken die Ströme

UFHGOST

Underground fire hydrant

Type 2009 GOST

DN 100 PN 10



Product characteristics and benefits

- Fire hydrant in accordance with GOST R 53961-2010, EN 1074-6 EN 14339 and Construction Products Regulation (CPR) 305/2011/EU
- With flange end acc. to GOST R 53961-2010
- Simple construction and low weight
- Low operating torque
- Simple maintenance and handling

Materials

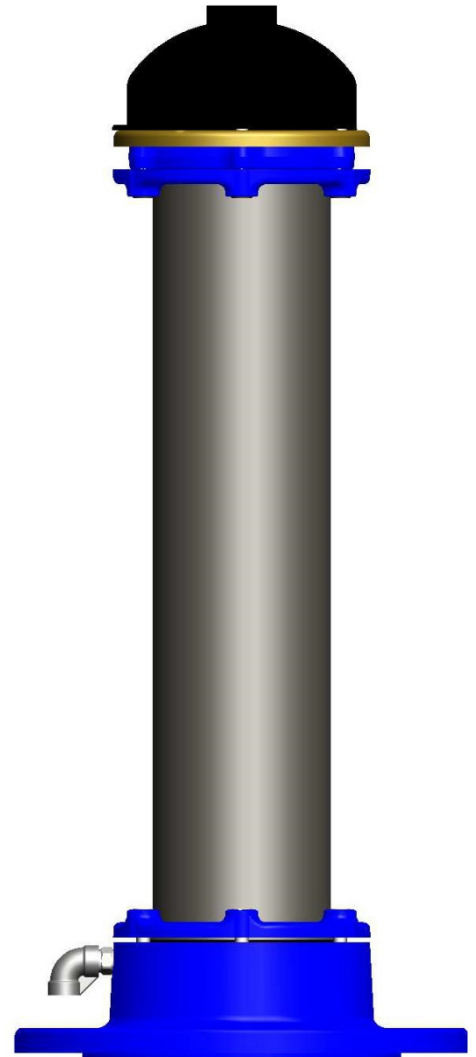
- Valve: Ductile cast iron EN-JS 1030 (GGG-40)
- Outlet: Gunmetal – brass CW 614 N acc. to with GOST 7499-71
- Piston: Ductile cast iron EN-JS 1030 (GGG-40) all around EPDM vulcanized
- Seat: Stainless steel 1.4059
- Bonnet bolts: Stainless steel A2 EN ISO 3506
- Spindle: Stainless steel 1.4028
- Spindle nut: Bronze LG2
- Body pipe: Stainless steel 1.4301 / Reinforced version: SS 1.4401 (AISI 316)

Corrosion protection

- Inside and outside Epoxy coating min. 250 µm
- According to GSK quality specifications

Tests and approvals

- Testing and registration by ZAG guarantees superior product quality and external monitoring which also takes hygienic aspects into consideration
- Type test acc. to GOST R 53961-2010
- Final inspection test acc. to EN 12266
- EPDM rubber acc. to EN 681-1 and approved acc. to KTW, W270, WRAS
- Epoxy coating approved acc. to KTW, W270, WRAS



Usmerjamo tokove

We control the stream

Wir lenken die Ströme

UFHGOST

Underground fire hydrant

Type 2009 GOST

DN 100 PN 10



Order code

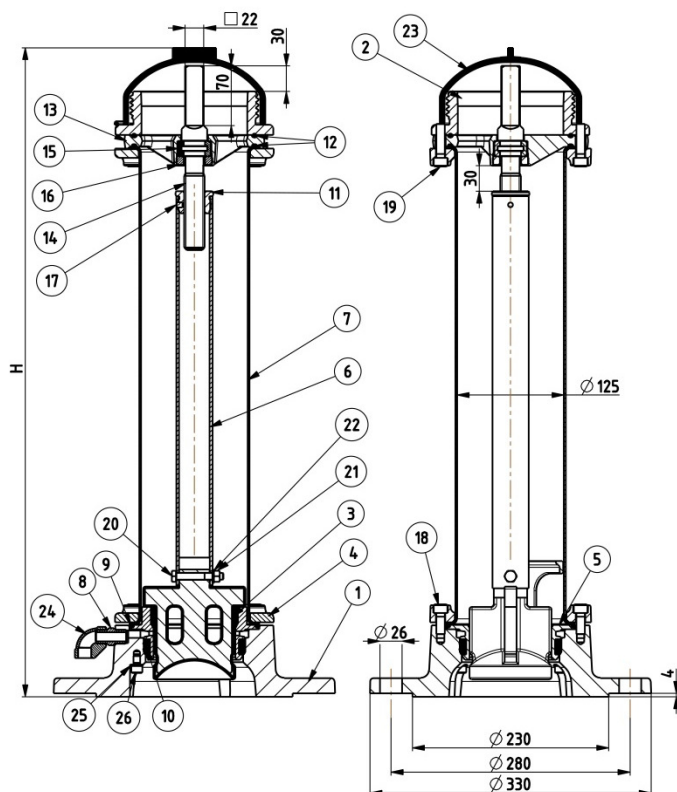
UFHGOST GOST FLANGE **DN 100, PN 10, H** Height

--	--	--	--

Sample: Underground fire hydrant DN 100 PN 16, height 1000

UFHGOST GOST FLANGE **DN 100, PN 10, H 1000**

Technical drawing



Item	Name	Material
1	Valve	Ductile iron JS 1030
2	Outlet	Brass CW 614 N
3	Piston	Ductile iron JS 1030 fully encapsulated EPDM
4	Flange	Ductile iron JS 1030
5	Sealing ring	Stainless steel 1.4059
6	Inner pipe	Stainless steel 1.4301
7	Body pipe	Stainless steel 1.4301 / 1.4408 (reinforced version)
8	Fitting	Stainless steel 1.4401
9	Pipe gasket	EPDM
10	Gasket	EPDM
11	Spindle nut	Bronze LG2
12	O ring	EPDM
13	Spindle star	Ductile iron JS 1030
14	Spindle	Stainless steel 1.4028
15	Limiter	CW 614 N
16	Brass nut	CW 614 N
17	Pin	Stainless steel A2
18	Screw	Stainless steel A2
19	Screw	Stainless steel A2
20	Screw	Stainless steel A2
21	Nut	Stainless steel A2
22	Washer	Stainless steel A2
23	Cap	EPDM
24	Winkel 90°	Stainless steel 1.4401
25	Washer	PA6
26	Screw	Stainless steel A2

Depth [m]	H [mm]	Weight [Kg]
0.75	500	31.0
1.00	750	33.5
1.25	1000	36.0
1.50	1250	38.5
1.75	1500	41.0
2.00	1750	43.5
2.25	2000	46.0
2.50	2250	51.0
2.75	2500	53.5
3.00	2750	56.0
3.25	3000	61.0
3.50	3250	63.5
3.75	3500	66.0

Field of application

DN	PN	Maximum operating pressure [bar]	Maximum operating temperature for neutral liquids [°C]
100	10	10	60

Pressure test acc. to EN 12266

Test pressure shell with air - Rate A [bar]	Test pressure seat with air - Rate A [bar]
15	11

We reserve the right to make technical changes and use similar or higher quality materials. Drawings are non-binding.

www.imp-ta.si info@imp-ta.si

Tel: +386 1 7887 300; Fax: +386 1 7887 328

Usmerjamo tokove

We control the stream

Wir lenken die Ströme

UFHGOST

Underground fire hydrant

Type 2009 GOST

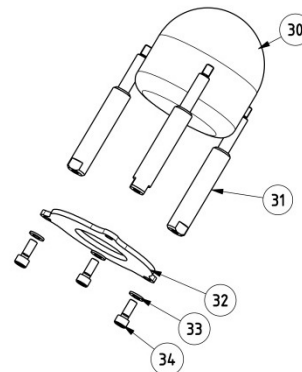
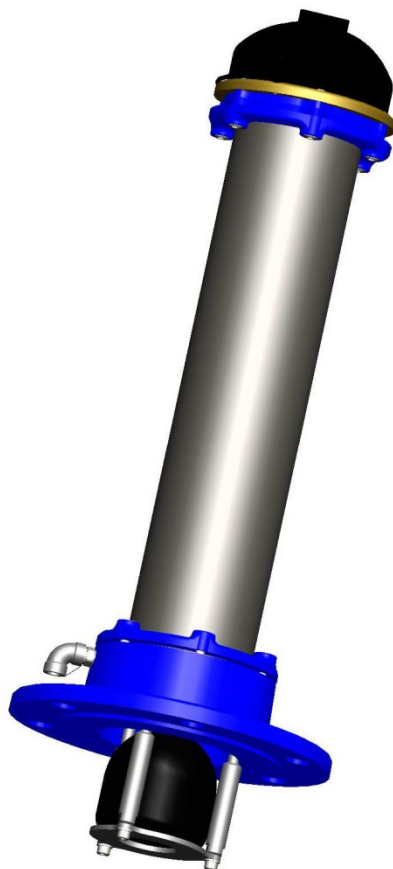
DN 100 PN 10


ARMATURE d.o.o.

Order code

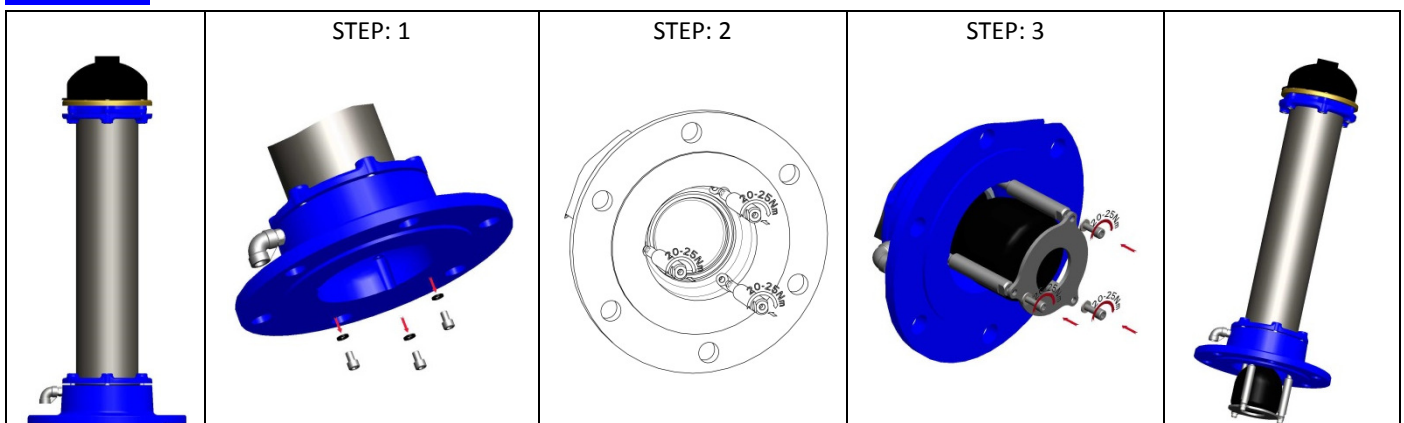
Double sealing accessories UFHGOST

Technical drawing



Item	Name	Material
30	Sealing ball	EPDM / Stainless steel 1.4301
31	Screw	Stainless steel 1.4021
32	Support plate	Stainless steel 1.4301
33	Washer	Stainless steel A2
34	Screw	Stainless steel A2

Instructions



We reserve the right to make technical changes and use similar or higher quality materials. Drawings are non-binding.

www.imp-ta.si info@imp-ta.si

Tel: +386 1 7887 300; Fax: +386 1 7887 328

Usmerjamo tokove

We control the stream

Wir lenken die Ströme

UFHGOST

Underground fire hydrant

Type 2009 GOST

DN 100 PN 10



Order code

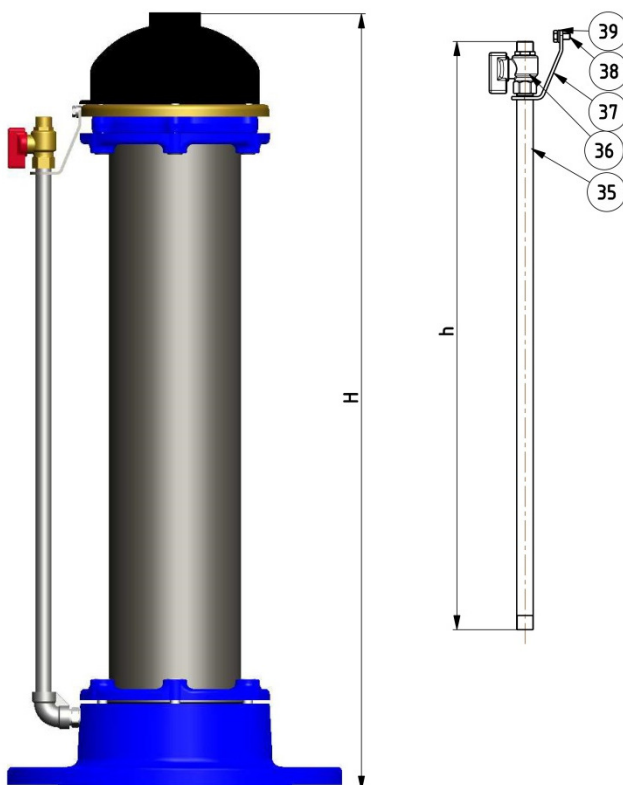
Draining pipe accessories UFHGOST H Height

--	--	--	--

Sample: Draining pipe for Underground fire hydrant DN 100 PN 10, height 1000

Draining pipe accessories UFHGOST H 1000

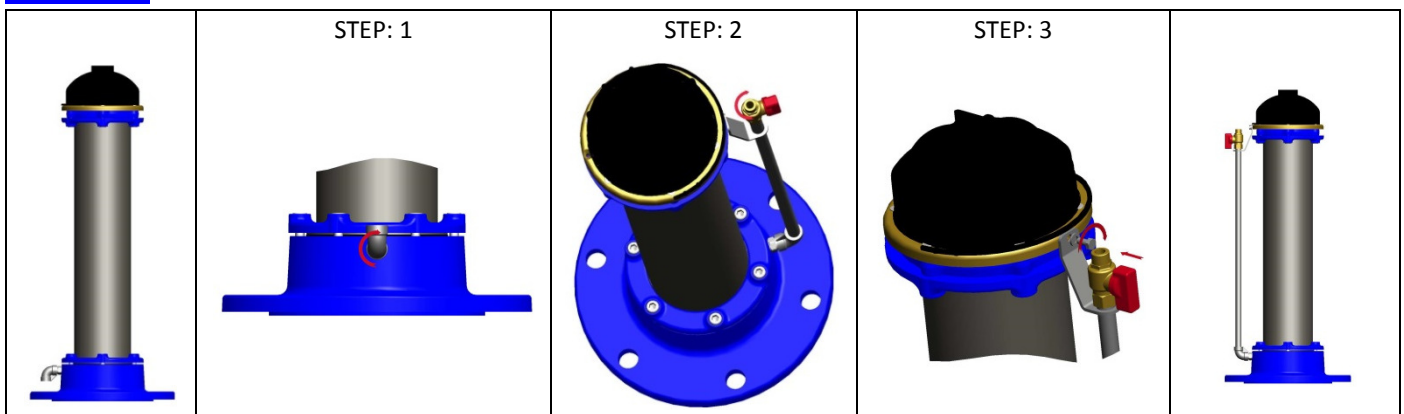
Technical drawing



Item	Name	Material
35	Pipe	Stainless steel 1.4301
36	Valve 3/8"	Brass
37	Holder	Stainless steel 1.4301
38	Screw	Stainless steel A2
39	Washer	Stainless steel A2

Depth [m]	H [mm]	h [mm]
0.75	500	320
1.00	750	570
1.25	1000	820
1.50	1250	1070
1.75	1500	1320
2.00	1750	1570
2.25	2000	1820
2.50	2250	2070
2.75	2500	2320
3.00	2750	2570
3.25	3000	2820
3.50	3250	3070
3.75	3500	3320

Instructions



We reserve the right to make technical changes and use similar or higher quality materials. Drawings are non-binding.

www.imp-ta.si info@imp-ta.si

Tel: +386 1 7887 300; Fax: +386 1 7887 328