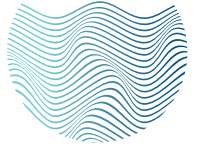


ABOVEGROUND HYDRANT

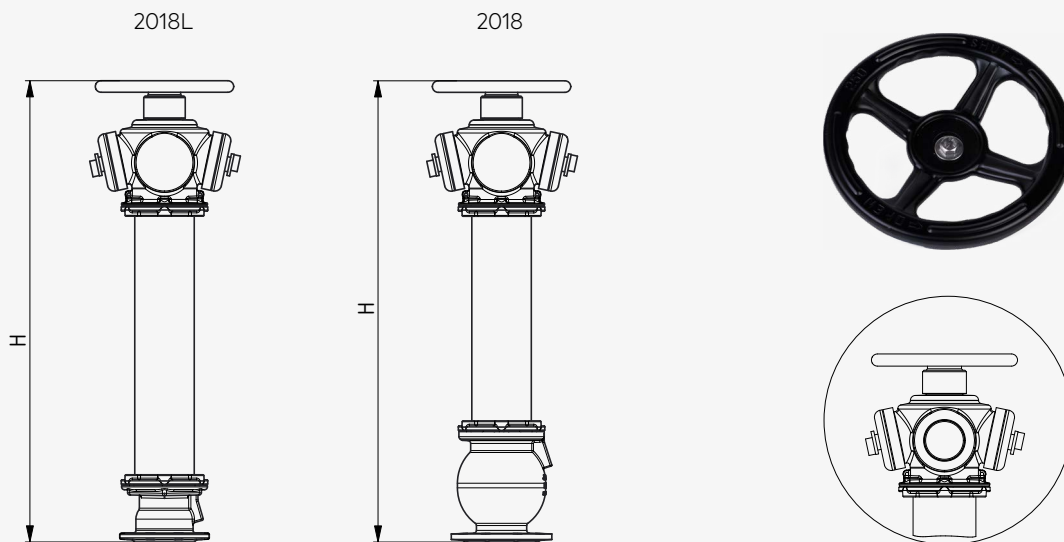
CHARACTERISTICS

— For tunnels mounting

**TUNNEL VERSION
WITH HAND WHEEL**
(for Art. 2018 and 2018L)



TECHNICAL DRAWINGS AND PICTURE



DATA

DN	DIMENSIONS [mm]	FLANGE CONNECTIONS [mm]				WEIGHT [kg]
	H	D	DK	n	d	A
80	1000	200	160	8	19	35
100	1000	220	180	8	19	41.5

* Other data as basic version. Other lengths and outlets on demand.

Body hand wheel	W.Nr 1.0038, coloured in black
Wheel diameter [mm]	300/28,8