

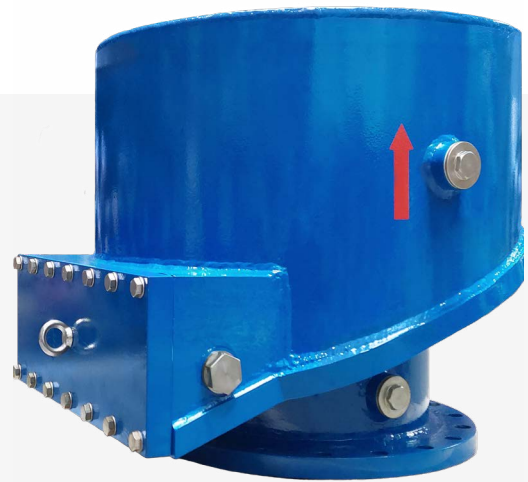
NON-RETURN CHECK VALVE

1 CHARACTERISTICS AND BENEFITS

- Flanged swing check valve for complete and quick closing of the return flow in pipelines
- Simple construction
- Easy maintenance - no removal from the pipeline and easy disassembly of cover and disc
- Low pressure loss
- Complete closing even at small pressure difference
- Design with flexible disc-neck
- Movement of the rubberized disc-neck (not on the bearings) prevents from blocking due to polluted media
- Horizontal and vertical installation possible
- Area of application at a flow of up to 4 m/s; recommended 0.5-2.5 m/s; for short pipeline up to 6 m/s
- Internal and external Epoxy wet coloured in RAL 5005

NORVA WELDED

DN 600 - 800
PN 2,5



2 STANDARDS

- Non-return valves manufactured and tested acc. to EN 1074-3 (water supply valves)
- Resilient seated acc. to EN 12334
- Flanges acc. to EN 1092-1
- Installation length acc. to table
- Final strength and tightness test acc. to EN 12266-1

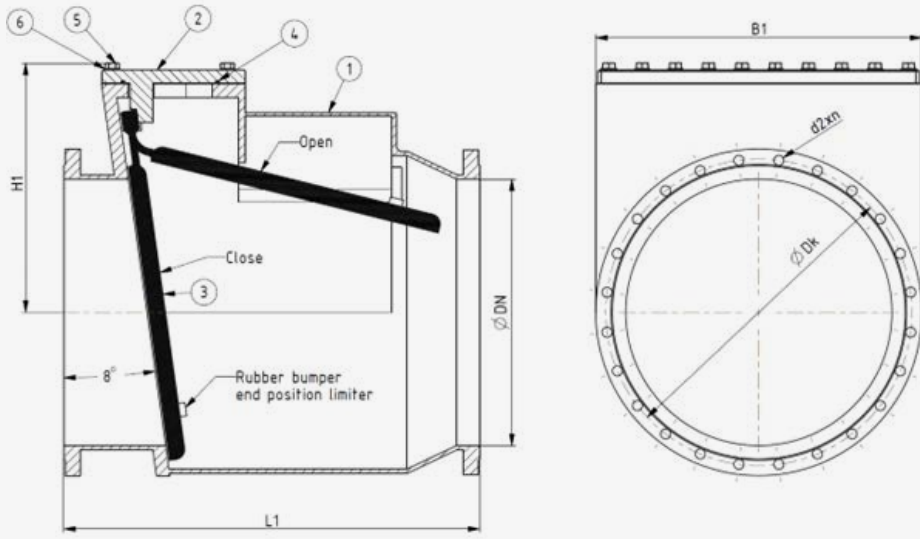
ADDITIONS ON DEMAND

SPARE PARTS SETS

- Set 1: EPDM/NBR rubberized disk, O-ring for bonnet
- Set 2: EPDM/NBR O-ring for bonnet

PN	2,5
Max. operating pressure [bar]	2,5
Max. operating temperature for neutral liquids [°C]	50
Shell strength and tightness: test with water; rate A [bar]	4
Seat tightness: test with water; rate A [bar]	2,8

TECHNICAL DRAWINGS



DATA

DN	600	700	800
H1 [mm]	330	340	748
Dk [mm]	705	810	920
d2xn	27x20	27x24	31x24
L1 [mm]	1000	1150	1250
B1 [mm]	760	865	975

MATERIALS

	BASIC VERSION
	EPDM
Body (1)	1.0038
Bonnet (2)	1.0038
Disc (3)	1.0038 / EPDM
Bonnet seal (4)	EPDM
Bonnet bolts (5)	Stainless steel A2
Washer (6)	Stainless steel A2
Epoxy wet coloured	min. 250 µm