

SWING CHECK VALVE

CHARACTERISTICS

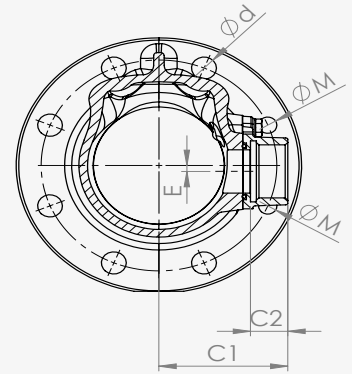
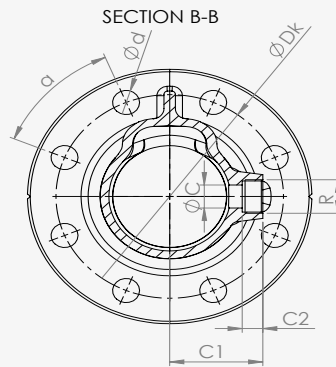
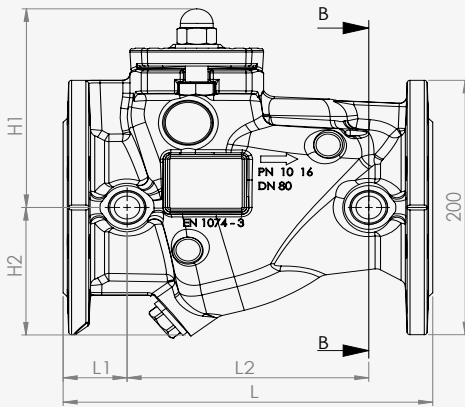
- Boreholes for installation of manometer
- Other dimensions possible on demand

MANOMETER CONNECTIONS

(for Art. 435 NORVA and 437 NORVA LW)



TECHNICAL DRAWINGS



DN 100 & 125

DATA

DN	50	65	80	100	125	150	200	250	300	350	400	500
L1 [mm]	39,4	39,7	45	47	46	59	80	96	100,5	110	120	140
L2 [mm]	123	158,5	170	197	250	269	340	408	499	580	660	820
L [mm]	201	240	260	300	350	400	500	600	700	800	900	1100
R ["]	3/4"	3/4"	3/4"	3/2"	3/2"	3/2"	2"	2"	2"	2 1/2"	2 1/2"	2 1/2"
C [mm]	20	20	20	37	37	40	50	50	50	72	72	72
C1 [mm]	57	60	67	98,5	116,5	111	127	157	182	215	240	290
C2 [mm]	15	15	15	28,5	28,5	20	22	25	25	45	45	40
M [mm]	19	19	19	M16	M16	23	23	23/28	23/28	23/28	28/31	28/34