

DIAPHRAGM NON-RETURN VALVE

1 CHARACTERISTICS AND BENEFITS

- Flanged non return valve with soft sealing for complete, quick and silent closing of the return flow
- Wide range of application
- Prevents water hammer
- Optimum damping of pressure surges via pre-stressed, elastic diaphragm
- No mechanically moving parts
- Two threaded plugs enable the mounting of a bypass
- Installation in all directions
- Installation before and after the pump
- Recommended velocity 2-4 m/s
- Internal and external Epoxy powder coating in RAL 5005

2 STANDARDS

- Non-return valves manufactured and tested acc. to EN 1074-3 (water supply valves)
- Resilient seated acc. to EN 16767
- Flanges acc. to EN 1092-2 PN 10/16
- Installation length acc. to EN 558-1, series 48
- Final strength and tightness test acc. to EN 12266-1
- Corrosion protection acc. to DIN 30677-2 and EN 14901
- Sealing elements for drinking water acc. to EN 681
- Microbiological suitability acc. to EN 16421 (W270)

3 APPROVALS

- UBA, W270, ACS WRAS, Belgaqua for EPDM sealing elements and Epoxy coating
- GSK – RAL-GZ 662/2 for corrosion protection
- EAC for the Russian market
- VIK for the Croatian market
- Conformity for potable water acc. to DM 174 for the Italian market
- EMI for the Hungarian market

ART. 442 MEVA

DN 40–400
PN 10/16



ON DEMAND

POSSIBLE ADDITIONS

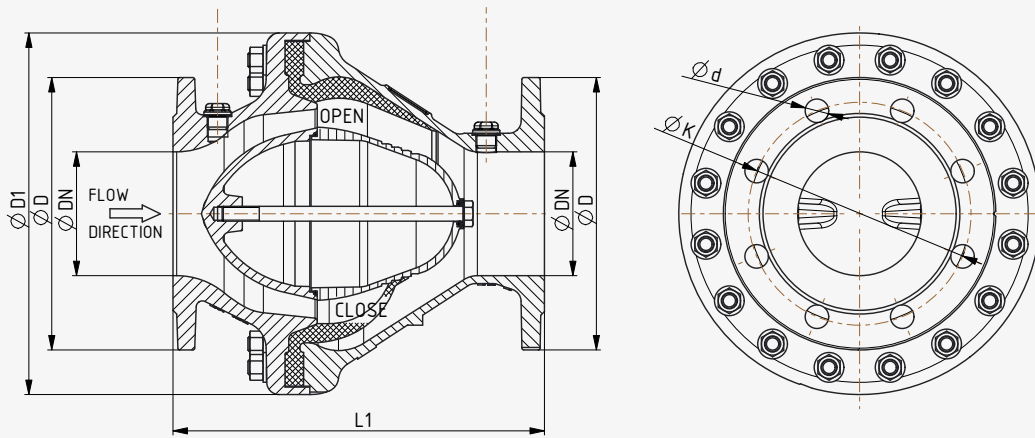
- Bypass
- PN 6 flanges

SPARE PARTS SETS

- EPDM diaphragm

PN	10	16
Max. operating pressure [bar]	10	16
Max. operating temperature for neutral liquids [°C]	50	50
Shell strength and tightness: test with water; rate A [bar]	15	24
Seat tightness: test with water; rate A [bar]	11	17,6

TECHNICAL DRAWINGS



DATA

DN	40	50	65	80	100	125	150	200	250	300	350	400
D	150	165	185	200	220	250	285	340	405	460	505	565
L1 [mm]	180	200	240	260	300	350	400	500	600	700	800	900
D1 [mm]	175	175	220	220	292	292	292	380	446	550	645	720
d PN10 / PN16	19	19	19	19	19	19	23	23	23/28	23/28	23/28	28/31
ØK PN10 [mm]	110	125	145	160	180	210	240	295	350	400	460	525
ØK PN16 [mm]	110	125	145	160	180	210	240	295	355	410	470	/
No. of bolts PN10/16	4	4	4	8	8	8	8	8/12	12	12	16	16
Weight approx. [kg]	12	14.1	16	24	39	41	43	101	146	251	352	423

MATERIALS

	BASIC VERSION	SPECIAL VERSION ON DEMAND (differences from basic version)
	EPDM for potable water	EPDM reinforced version
Body	EN GJS-400-15 (GGG-40)	
Seat	DN40-50: POM/other: EN GJS-400-15	
Seat screw	Stainless steel A2	A4
Diaphragm	EPDM	
Screws	Stainless steel A2	A4
Colour coating	Min. 250 µm	