

UNIVERSAL DRILLING BRIDGE

1 CHARACTERISTICS AND BENEFITS

- Valve intended for reliable closing of liquid flow with the closing slide plate
- Suitable for ductile, steel, cast iron and AC pipes
- Drilling bridge allows installation on pipelines under pressure
- Use with stainless steel rubber covered strap
- Bayonet or threaded connection possible
- 90° swivel elbows allow connections of different dimensions
- Thread for simple assembly of the extension spindle
- Max. drilling diameter 33 mm
- Thread for simple assembly of the extension spindle
- Maintenance free
- Simple handling
- Epoxy colour coating in RAL 5005

ART. 610

DN 80–500
PN 16



2 STANDARDS

- Valves manufactured and tested acc. to EN 1074-2 (water supply valves)
- Thread acc. to ISO 228
- Ductile iron acc. to EN 1563
- Final strength and tightness test acc. to EN 12266-1
- Corrosion protection acc. to DIN 30677-2 and EN 14901
- Sealing elements for drinking water acc. to EN 681
- Microbiological suitability acc. to EN 16421 (W270)

POSSIBLE ADDITIONS ON DEMAND

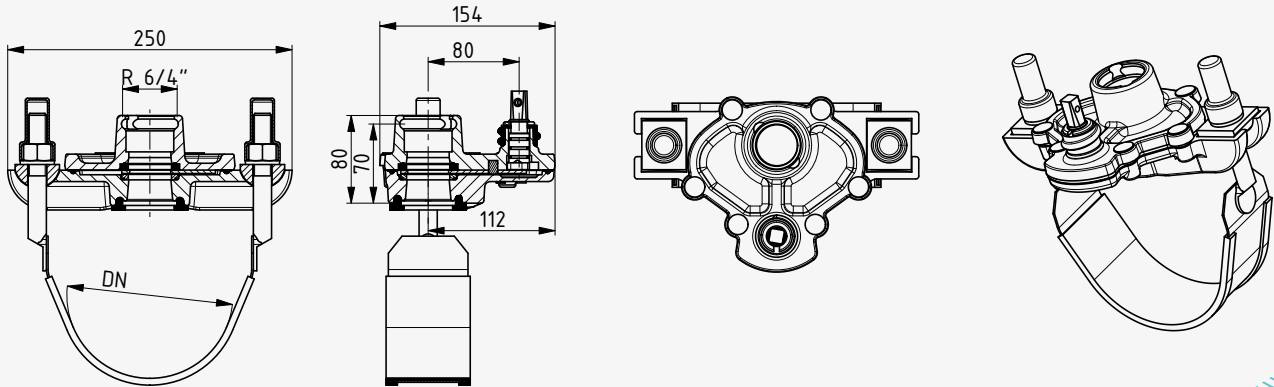
- Strap for metal pipes
- Telescopic extension spindle
- Connection elbows (with bayonet, threaded connection)
- T-key (for extension spindle)
- Pipe connection
- Drilling machine

3 APPROVALS

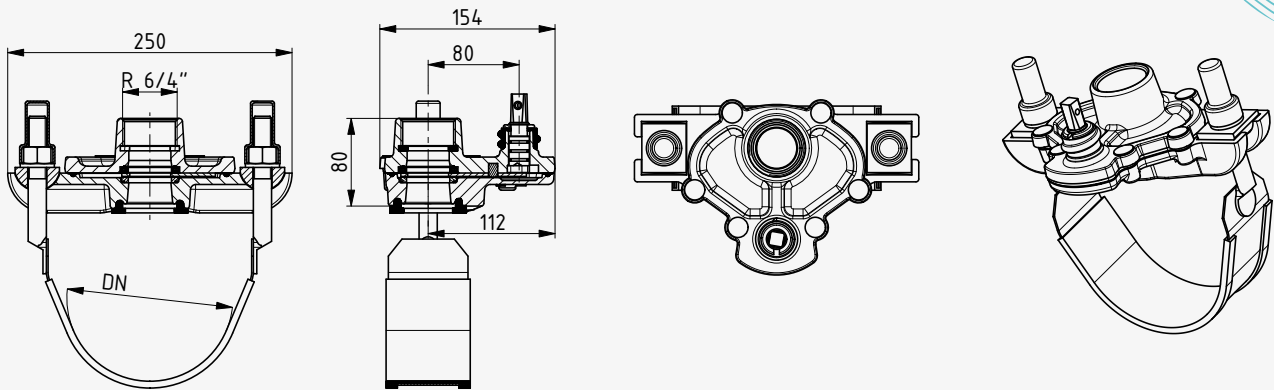
- DVGW, UBA, W270, ACS WRAS, Belgaqua for EPDM sealing elements and Epoxy coating
- GSK – RAL-GZ 662/2 for corrosion protection
- DVGW certificate for the German market
- EAC for the Russian market
- VIK for the Croatian market
- EMI for the Hungarian market

PN	16
Max. operating pressure [bar]	16
Max. operating temperature for neutral liquids [°C]	50
Shell strength and tightness: test with air; rate A [bar]	25
Seat tightness: test with air; rate A [bar]	17,6

WITH BAYONET JOINT



WITH THREADED CONNECTION



TECHNICAL DRAWINGS

Remark: Strap not part of basic article.

DATA

DN	80	100	125	150	200	250	300	350	400	500
Diameter range DN [mm]	95-103	114-122	140-150	166-176	218-228	270-280	322-332	374-384	425-435	528-538
Diameter ductile pipes [mm]	98	118	144	170	222	274	326	378	429	532
Diameter steel pipes [mm]		114,3		168,3		273	323,9			

MATERIALS

BASIC VERSION

Body	EN GJS-400-15 (GGG-40)
Closing plate	Stainless steel W. Nr. 1.4301
Stem	Stainless steel W. Nr. 1.4021
Screw material	Stainless steel A2
Gaskets	EPDM for potable water
Epoxy powder coating	Min. 250 µm