

CONNECTION ELBOWS

CHARACTERISTICS

- For easier installation

STANDARDS AND APPROVALS

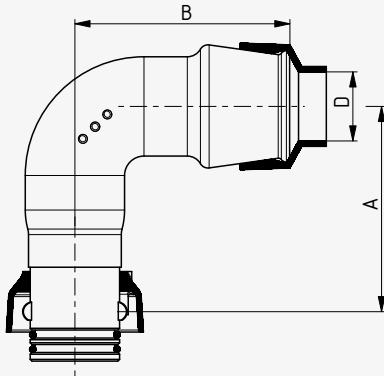
- Ductile iron acc. to EN 1563
- Final strength and tightness test acc. to EN 12266-1
- Corrosion protection acc. to DIN 30677-2 and EN 14901
- Sealing elements for drinking water acc. to EN 681
- Microbiological suitability acc. to EN 16421 (W270)
- DVGW, UBA, W270, ACS WRAS, Belgaqua for EPDM sealing elements and Epoxy coating
- GSK – RAL-GZ 662/2 for corrosion protection

BAYONET ELBOW

(for Art. 611/610)



TECHNICAL DRAWING AND PICTURE



DATA

D [mm]	25	32	40	50	63
A [mm]			95		
B [mm]	94	100	109	113	125
Min. bore diameter of the main pipe	20	25	30	30	30
Max. bore diameter of the main pipe			33		

MATERIALS

Body	EN GJS-400-15
Gaskets	EPDM
Grip ring	POM
Epoxy powder coating	Min. 250 µm