

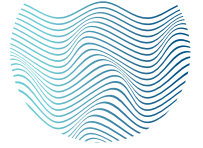
CONNECTION ELBOWS

CHARACTERISTICS

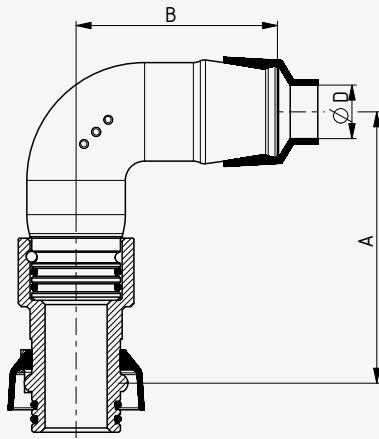
- For easier installation
- Sealing elements for drinking water acc. to EN 681

DOUBLE ROTATED BAYONET ELBOW

(for Art. 610/611)



TECHNICAL DRAWING AND PICTURE



DATA

D [mm]	25	32	40	50	63
A [mm]			127		
B [mm]	94	100	109	113	125
Min. bore diameter of the main pipe	20	25	30	30	30
Max. bore diameter of the main pipe			33		

MATERIALS

Body	EN GJS-400-15
Gaskets	EPDM
Epoxy powder coating	Min. 250 µm