

CONNECTION ELBOWS

CHARACTERISTICS

PLASTIC ELBOW and METAL ELBOW

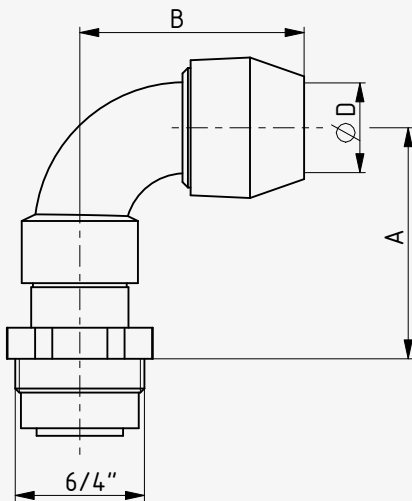
— Sealing elements for drinking water acc. to EN 681

THREADED ELBOW

(for Art. 610/611)



TECHNICAL DRAWING AND PICTURES



PLASTIC ELBOW

METAL ELBOW

DATA

D [mm]	25	32	40
A [mm]	41	44	43
B [mm]	82	94	116
Min. bore diameter of the main pipe	20	25	30
Max. bore diameter of the main pipe	33	33	33

MATERIALS

Plastic elbow	PP
Metal elbow	Stainless steel