

THROUGHBORE UNDERGROUND H.

1 CHARACTERISTICS AND BENEFITS

- Under-ground hydrant for potable water - for quick use in case of fires and temporary connecting of pipe network
- Suitable for pipeline cleaning – flushing hydrant
- Resistant to hard particles presence in water
- Enables pipeline monitoring and diverse observations of pipe system, for probes, cameras, microphones, etc.
- Sealing type guillotine
- Excellent hydraulic characteristics
- Completely straight through bore diameter 70 mm
- Without maintenance
- Covers pipeline depths from 0,75 till 2,0 m
- Direction of closure clockwise; 3 dead out of 10 turns
- Resistant to disinfection
- All uncoloured parts from rust-resistant materials
- Light weight of the hydrant enables quick and simple installation
- Terminal stoppers prevent damage due to eventual use of excessive force during opening/ closing
- Epoxy powder coating in RAL 5005

2 STANDARDS

- Hydrants manufactured and tested in acc. to EN 14339, EN 1074-6
- Acc. to European construction products regulation 305/2011/EU (CPR)
- Ductile iron acc. to EN 1563-3
- Flanges acc. to EN 1092-2 PN 10/16
- Operating outlets acc. to DIN 3221
- Final strength and tightness test acc. to EN 12266
- Corrosion protection acc. to DIN 30677-2 and EN 14901
- Sealing elements for drinking water acc. to EN 681
- Microbiological suitability acc. to EN 16421 (W270)

3 APPROVALS

- UBA, W270, KTW, ACS WRAS, Belgaqua for EPDM sealing elements and Epoxy coating
- GSK – RAL GZ-662/2 for corrosion protection
- CE mark
- DVGW certificate for the German market

ART. TBB
DN 80 FIX

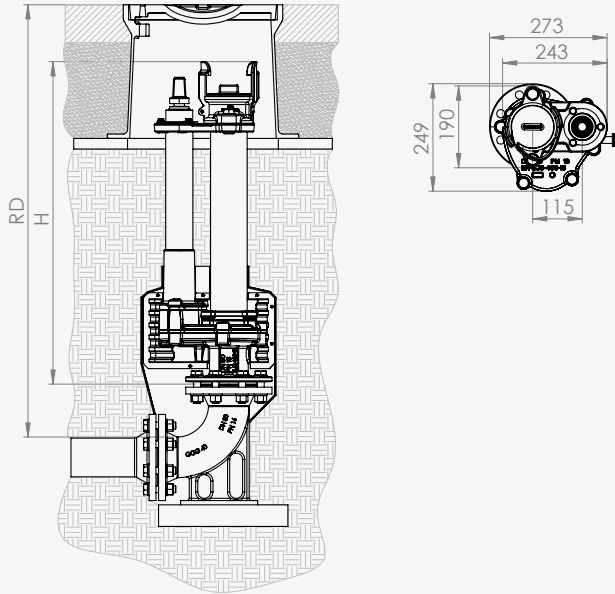


ON DEMAND

- Other outlets
- Other mounting depths
- Hydrant key
- N & FF piece
- Reducing flanges
- Drainage protection shell

PN	16
Max. operating pressure [bar]	16
Max. operating temperature for neutral liquids [°C]	60
Shell strength and tightness: test with water, rate A [bar]	25
Seat tightness: test with water, rate A [bar]	17,6

TECHNICAL DRAWINGS



DATA

DN		80					
Dimensions	Mounting depth - RD [mm]	750	1000	1250	1500	1750	2000
	H [mm]	500	750	1000	1250	1500	1750
Weight approx. [kg]		28,5	30,5	32,4	34,3	36,2	38,1
Operating torque [Nm]		60					
Operating loads [Nm]	MOT	105					
	MST	280					
Drainage	Residual volume [ml]	50					
	Drainage time [min/m]	3					
Kv [m³/h]		200	190	180	170	160	150

MATERIALS

	BASIC VERSION	SPECIAL VERSIONS ON DEMAND (differences from basic version)
Body	EN GJS-400-15	
Pipe	W. Nr. 1.4404	Coated on RAL 5005
Outflow cover	EPDM	HDPE/1.4301
Spindle/shaft	W. Nr. 1.4021	
Protecting pipe	PE	
Operating cap	EN GJS-400-15	
Outlet	EN GJS-400-15	
Closing plate	W. Nr. 1.4404	
Screw material	A2	A4
Gaskets	EPDM	
Epoxy coating	RAL 5005, min. 250 µm	