

## INSTRUCTIONS FOR SAFE HANDLING

Title: **WAFER TYPE SWING CHECK VALVE TYPE 510/511/530/531 (19.09.2023 – rev. 01)**

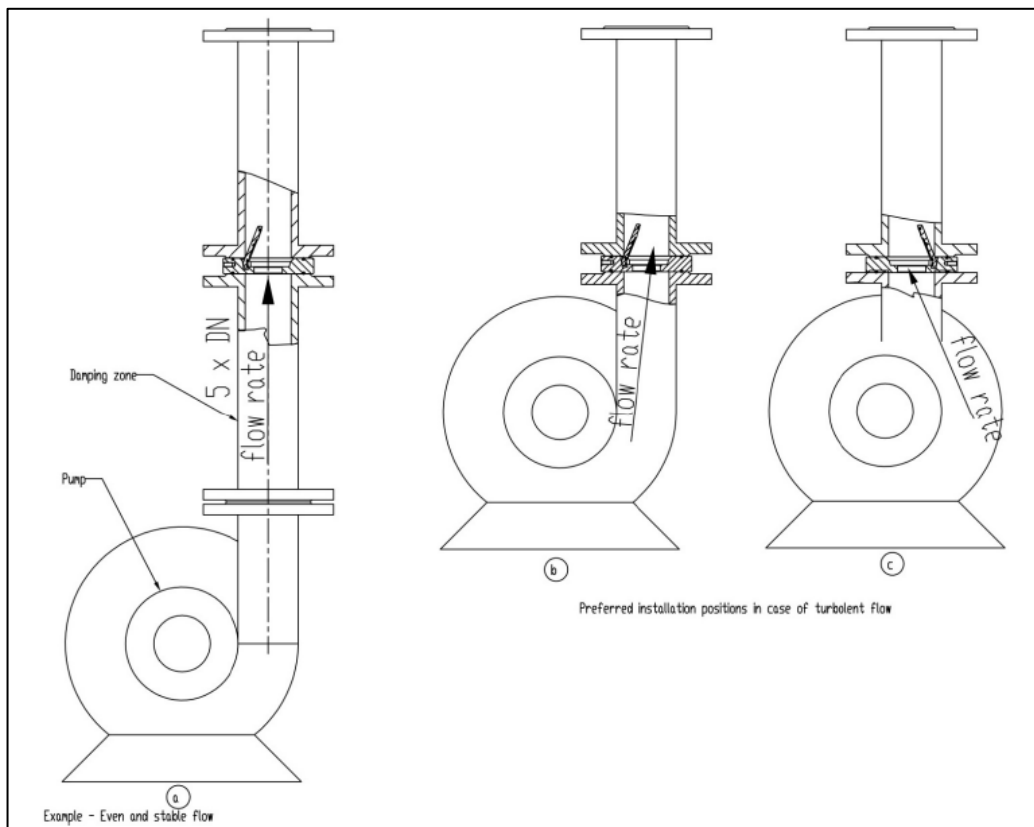
The operating conditions must be in accordance with the manufacturer's Declaration of Conformity or Performance.

### 1. PRODUCT INSTALLATION

Correct installation of the valve is a condition for trouble-free operation. The valve is of the inter-flange design, it is installed between the flanges and the installation of additional seals between the valve and the flange is not permitted. The gasket for sealing between the flanges is already installed in the fitting itself (pos. 6). During assembly, it is necessary to ensure that the two flanges are sufficiently spaced so that the check valve can be inserted between the flanges without obstacles. Care must be taken not to pull out the body seals (pos. 6) from their seats.

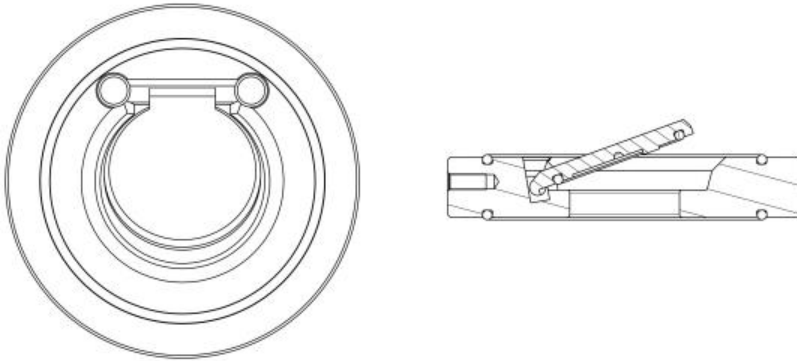
The valve is not made symmetrically, and the direction of the flow is important from this address (the opening direction of the disc pos. 2 is the direction of the flow). The customer installs the check valve according to his needs. Before installing the valve, the flow must be closed or the pipeline must be emptied and, in case of higher temperature, cooled to room temperature.

Recommended installation positions according to the flow direction:



It is not allowed to install a check valve between the flanges, which are designed for higher pressures than the nominal pressure of the valve itself!

- ALLOWED POSITION OF INSTALLED PRODUCT



## 2. MAINTENANCE AND REPAIRS

The valve - CHECK VALVE - is simple in design and does not require special maintenance.

In the event of a leak or damage to the closing element, it is only necessary to replace the seals on the disc (item 5) or the body (item 6). It is recommended that the sealing elements be replaced every three years, but if the medium is more aggressive or dirty, even earlier. We recommend changing the gaskets every time the pipeline or system is overhauled. The procedure for replacing the sealing elements is as follows:

- empty the pipeline and, in case of higher medium temperature, wait for the system to cool down,
- unscrew the flanges and spread them apart so that the check valve can be pulled out of the pipeline smoothly,
- replace the damaged seal,
- reinsert the check valve between the flanges (it is recommended that the lower screws on the flange are in place and are only unscrewed so that the check valve sits on the screws and is thus centered),
- when the check valve is inserted, tighten the screws on the flanges and fix the armature,
- we must make sure that the screw (pos. 7) is always at the top,
- fill the system with medium.

The same procedure applies to the TYPE 530/531 spring check valve.

**In case of any complications during servicing, it is necessary to contact the IMP Armature d.o.o. or replace the check valve completely.**

POS.	TITLE	NBR. OF PIECES
1	BODY	1
2	DISC	1
3	PLUG	2
5	DISC SEAL	1
6	BODY SEAL	2
7	EYE SCREW	1

