

FITTINGS

1 CHARACTERISTICS AND BENEFITS

- For interconnecting PE pipes
- For the transition of the PE pipe to the flange connection
- The flange dimensions are acc. to standard so can be fitted directly to gate valves, non-return valves, fitting pieces, etc.

2 STANDARDS

- Flanges acc. to EN 1092-2 PN 10/16
- Installation length acc. to EN 558-1,
- Body material acc. to EN 1563

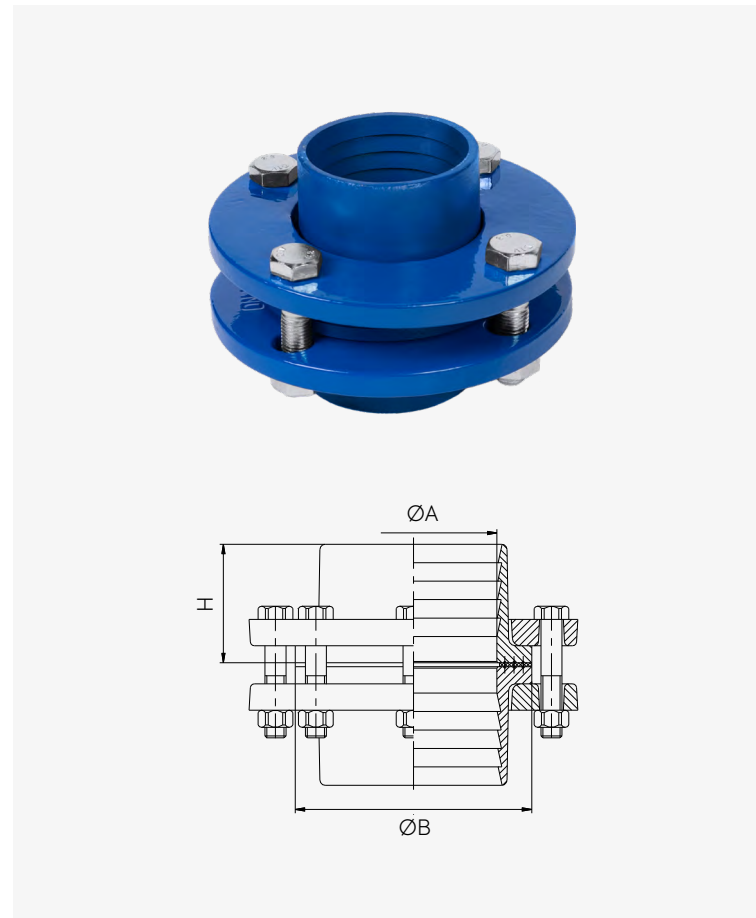
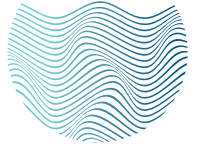
3 APPROVALS

- EMI for hungarian market

MATERIAL

Body and flange	EN GJS 400-15
Screw material	galvanised, on demand: A2 stainless steel
Gasket	EPDM
wet color	RAL 5005 min. 50 µm

ART. 037 BULLET COUPLING



PIPE DIMENSIONS	DN	A	B	H	Total weight (coupling and flanges) [kg]
63	50	60.3	107	60	2.30
75	65	72.1	122	65	4.00
90	80	87.1	138	70	5.10
110	100	107.6	158	80	6.80
125	100	124.7	180	90	8.15
140	125	139.7	180	100	9.25